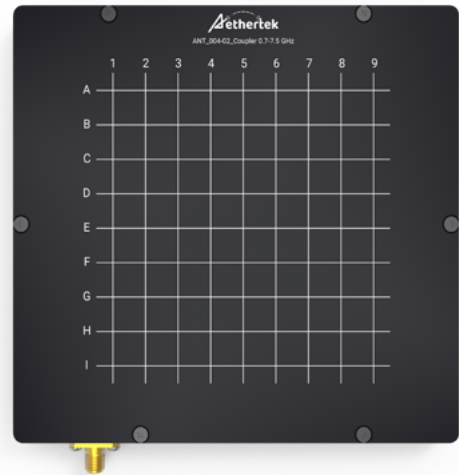


Features

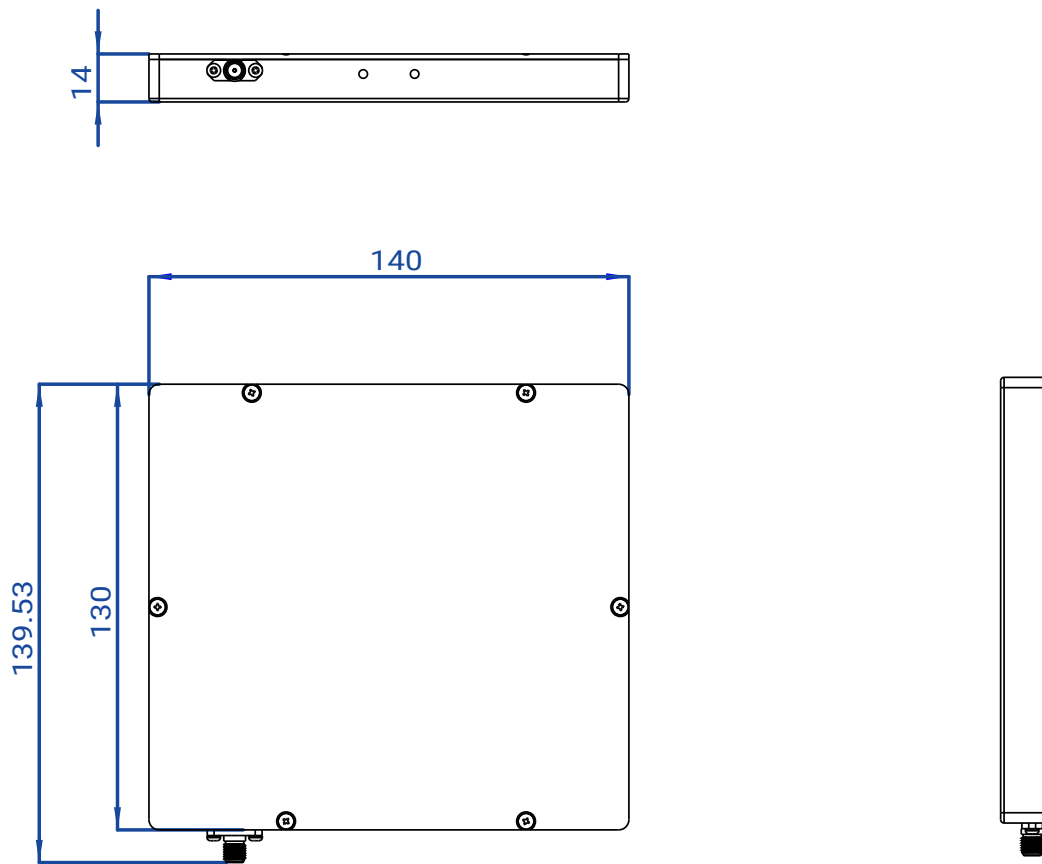
- Steady and effective RF coupling characteristics
- Capable of Transmitter radiated power testing and Receiver sensitivity testing
- Support wide bandwidth design for 5G FR1, 4G LTE, WLAN, Bluetooth
- Compact size for Aethertek's shielding box and fixture



Specifications

Operating Frequency	698~8500 MHz
VSWR	2:1 (Typical) Maximum 2.5 :1 @1.15 GHz
Impedance	50Ohm
Dimension	(L)140mm x (W)130mm x (H)24mm
Weight	400g
RF Connector	SMA-F

Dimension



VSWR

