



# RF SP8T SWITCH

---



*DATA  
SHEET*

# RF SP8T SWITCH

---



## 1. Features

- Reliable RF SP8T switching performance
- Extreme wide bandwidth, solid-state design
- Great VSWR and port-to-port isolation
- Cost efficient mmWave test solution
- Integrated USB-to-UART interface for simple test script programming and debugging



## 2. Functional Block Diagram

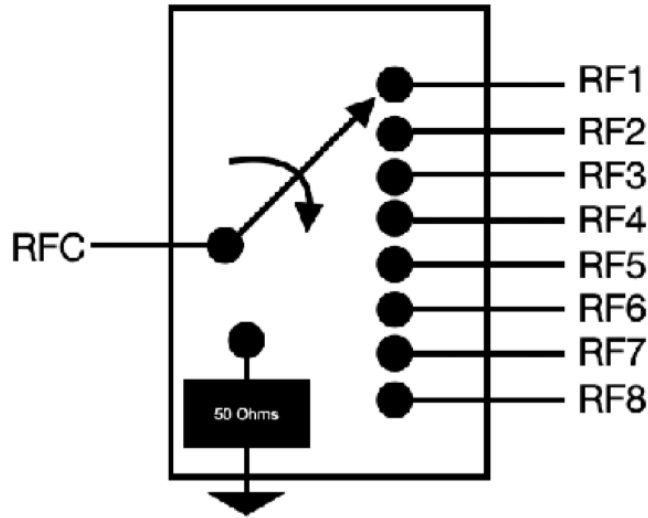


Figure 1. Functional block diagram

## 3. Specifications

Parameter	
RF Frequency Range	100MHz to 44GHz
Characteristic	50Ω
Operating Voltage	6.0V
Operating Current	300mA (Max)
Switching Time	6us (Typical)
Input Power	+24dBm (Max)
Hot Switching Power	+24dBm (Max)
Connector Type	2.40mm
Dimension	
Operating Temperature	0~+40 in Celsius



## 4. RF Performance Characteristics

Frequency	100MHz to 6GHz	6GHz to 18GHz	18GHz to 28GHz	28GHz to 40GHz
Insertion Loss (Max)	2.6dB	4.8dB	7.1dB	8.6dB
Return Loss (Min)	12dB	10.2dB	6.8dB	7.3dB
Isolation (Min)	52dB	45dB	43dB	40dB

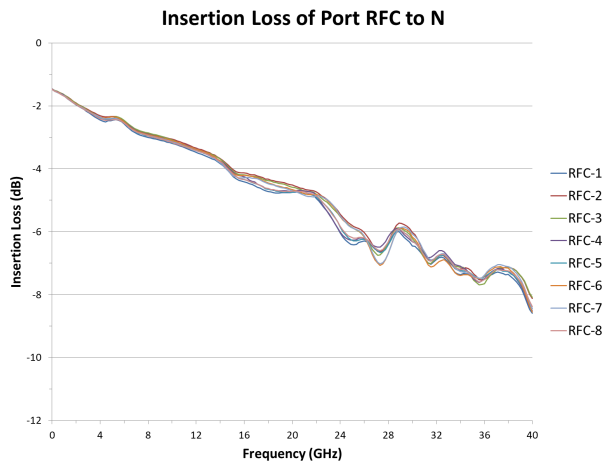


Figure 2. Insertion Loss vs. Frequency for RFC to N

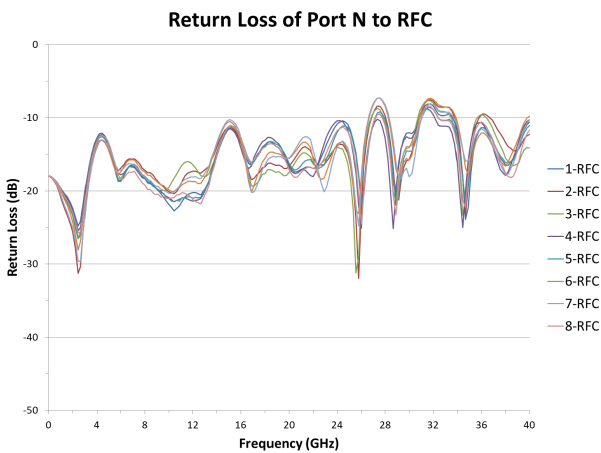


Figure 3. Return Loss vs. Frequency for N to RFC

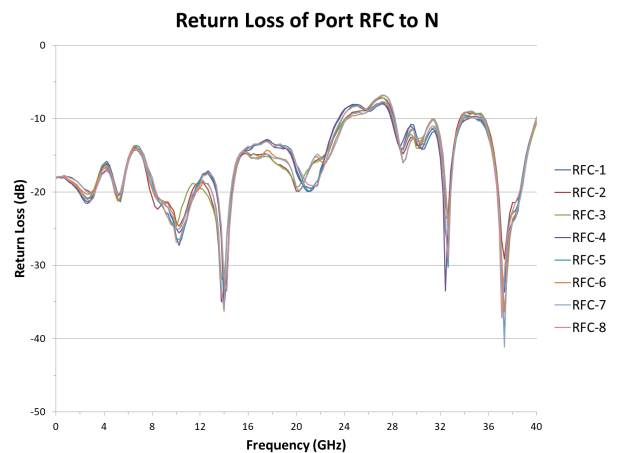


Figure 4. Return Loss vs. Frequency for RFC to N



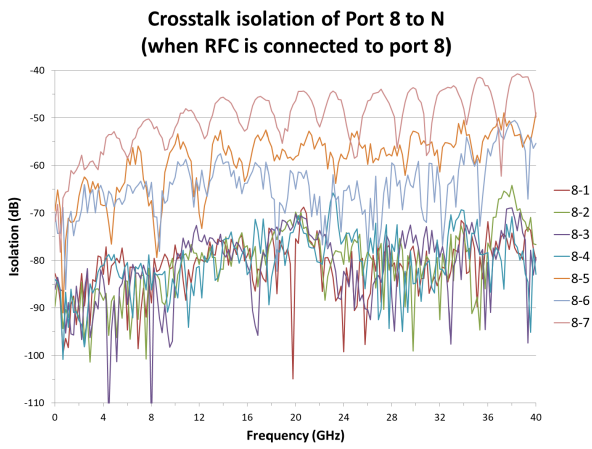


Figure 5. Cross talk isolation vs. Frequency for RF8 to all the other ports

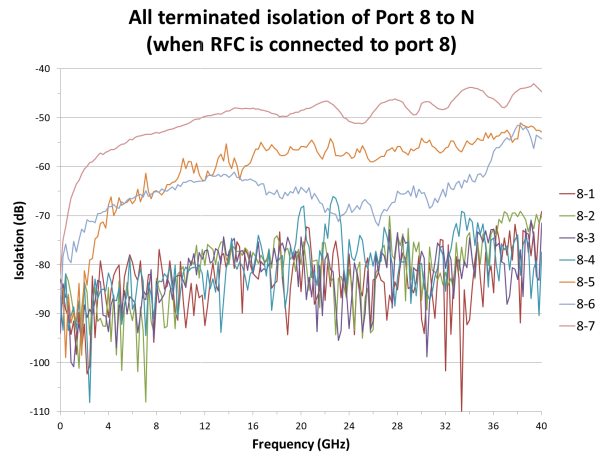


Figure 5. All port terminated isolation vs. Frequency

# RF SP8T SWITCH



*DATA SHEET*

---

Contact us to experience our 5G innovative solutions!



✉ [contact@aether-tek.com](mailto:contact@aether-tek.com)

☎ +886-2-2658-2068

📍 9F No. 607, Ruiguang Rd., NeihuDist, Taipei City 114, Taiwan