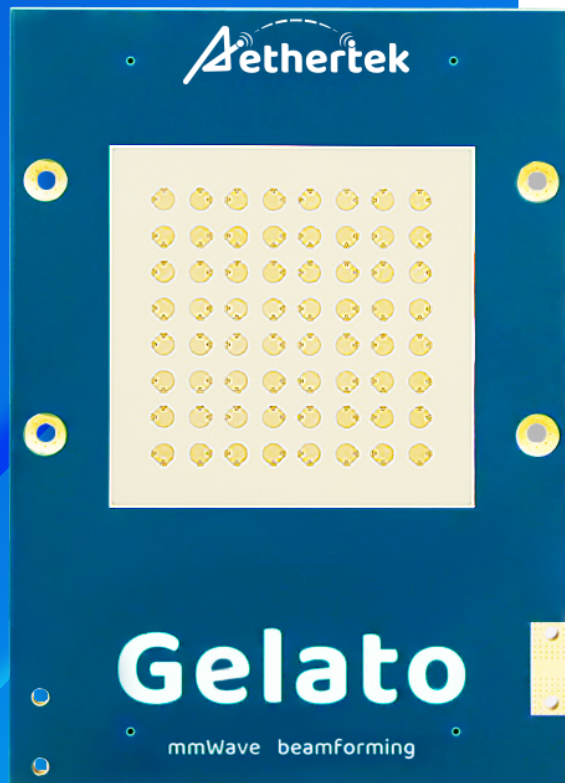




# GELATO

Technologically Advanced  
Beamforming



*DATA  
SHEET*

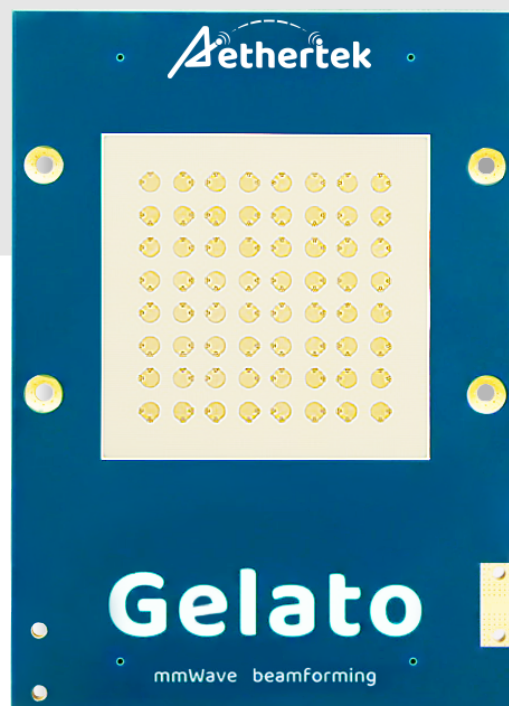
# Outline



1. AIM Description	1
2. Key Features	2
3. GELATO High-level Block Diagram	2
4. Absolute Maximum Ratings	3
5. Electrical Specification	3
6. Power Consumption	4
7. Communication Interfaces	4
8. GELATO Features	5
9. General Specifications of GELATO Antenna Module	6

# GELATO

Technologically Advanced Beamforming



## 1. AIM Description

Aethertek's Phased Array Antenna module, Gelato, is a crucial component that empowers 5G FR2 connectivity within the n258 frequency bands. It plays a pivotal role in diverse communication equipment, such as Radio Units, Small Cells, and CPEs. By providing enhanced data rates and capacity, it meets the substantial bandwidth requirements of 5G FR2 applications, including those in augmented reality, virtual reality, and IoT deployments.



## 2. Key Features

- Supports 5G NR FR2 n258
- 3GPP Rel 15 5G-NR
- mmWave TDD mode
- 64QAM DL/UL
- 8x8 phased antenna array with integrated IF up-down converter
- Dual polarization
- Maximum Bandwidth 400MHz for DL/UL
- Module dimension 108 x 91 x 14.46 mm

## 3. GELATO High-level Block Diagram

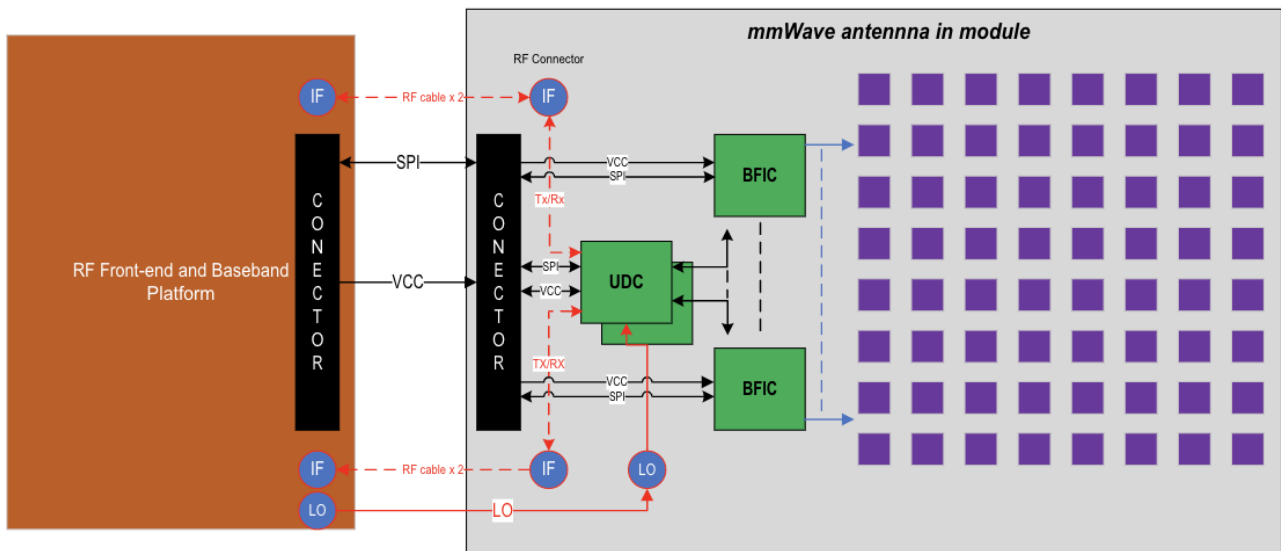


Figure 1: High-Level block diagram



## 4. Absolute Maximum Ratings

Table1. Absolute Maximum Ratings

Parameter	Symbol	Min	Typ.	Max	Unit	Note
Power Supply Voltage	VDD	-	-	2	V	-
PA Power Supply Voltage	VDDPA	-	-	2.2	V	-
Logical Level	SPI_xx, TX_EN, RX_EN	-	-	2	V	-
Operating Temperature		0	25	45	Deg	-

## 5. Electrical Specification

Table2. Power supply DC characteristics

Parameter	Symbol	Min	Typ.	Max	Unit	Note
Power Supply Voltage	VDD	1.75	1.80	1.85	V	(1)(2)
PA Power Supply Voltage	VDDPA	1.75	1.8	2.05	V	(1)(2)
Control Power Supply	VDD_3V3_SW	3.15	-	3.45	V	-

Table3. SPI DC characteristics

Parameter	Symbol	Min	Typ.	Max	Unit	Note
SPI Input Negative Going Threshold Voltage	SPI_xx, TX_EN, RX_EN	0.3*VDD	-	0.6*VDD	V	Compliant with JESD8-7A Standard
SPI Input Positive Going Threshold Voltage	SPI_xx, TX_EN, RX_EN	0.4*VDD	-	0.7*VDD	V	



Table4. Logic DC characteristics

Parameter	Symbol	Min	Typ.	Max	Unit	Note
Digital Control (VIH)	SW_CTRL_xx	1.2	-	3.3	V	-
Digital Control (VIL)	SW_CTRL_xx	0	-	0.8	V	-

## 6. Power Consumption

Table5. Power consumption

Parameter	Min	Typ.	Max	Unit	Note
Supply Voltage	1.75	1.8	1.85	V	-
Supply Current	-	-	37	A	-

## 7. Communication Interfaces

### SPI

AiM has five SPI groups to support beam steering control. Each interface consists of a 4-wire SPI (clock rate up to 25MHz) and a PDI (clock rate up to 100MHz).



## 8. GELATO Features

Parameter	Capability
Operating frequency	24.25GHz to 27.5GHz (n258)
IF range	2.6GHz to 5.8GHz
LO range	4.725GHz to 6.75GHz, LS-LO 6.75GHz to 8.775GHz, HS-LO (Suggested)
Duplexing	TDD
Max Bandwidth	400MHz
Radio interface	I-PEX (U.FL)
Control interfaces	SPI
Power supplies	1.8V
Diemension	108 x 91.4 x 14.46 mm (included heat spreader)



## 9. General Specifications of GELATO Antenna Module

Parameter	Condition	Min	Typ.	Max	Unit
Total Max EIRP (V+H) <sup>(1) (2)</sup>	64 QAM, 100MHz, 400MHz	-	-	50	dBm
Beam Scan Angle	-	-	+/- 60	-	Deg
Min EIRP Over Scan Angle	64 QAM, 100MHz, 400MHz	44	-	-	dBm
EVM	-	-	<6	8	%
ACLR	64 QAM, 100MHz	-	-	-28	dBc
Cross-pol Leakage	0 deg Az/ 0 deg El	-	-25	-30	dBc
Noise Figure	0 deg Az/ 0 deg El	-	TBD	-	dB



# GELATO

Technologically Advanced  
Beamforming



*DATA SHEET*

More information  
Full data sheet and other design resources  
are available under NDA.  
Request now

Contact us to experience our 5G innovative solutions!



✉ [contact@aether-tek.com](mailto:contact@aether-tek.com)

☎ +886-2-2658-2068

📍 9F No. 607, Ruiguang Rd., NeihuDist, Taipei City 114, Taiwan